



Associated
Power Technologies

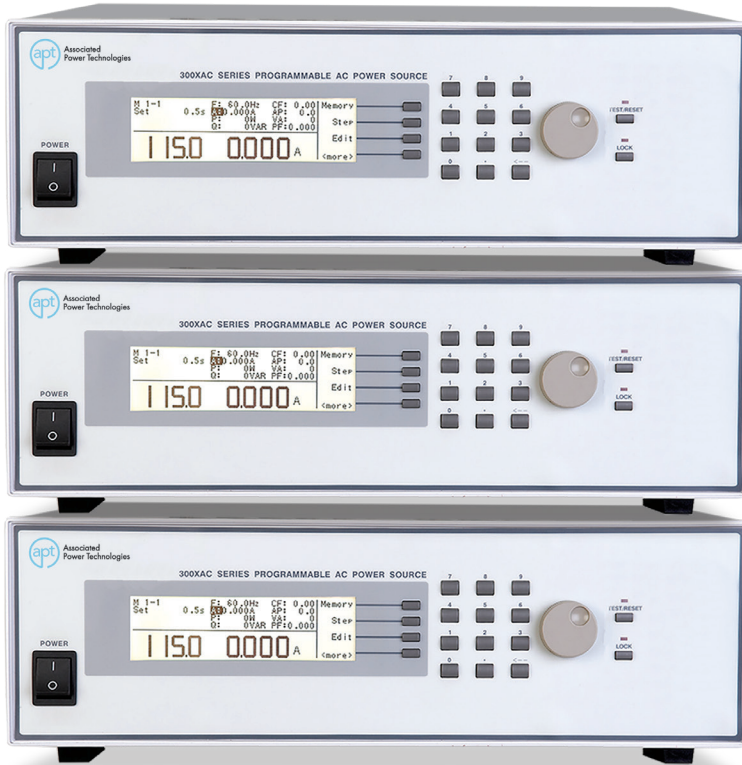


300XAC Series

Linking Technical Guide

Table of Contents

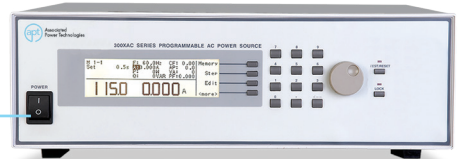
Parallel Mode Linking Configurations: 1Ø2W Parallel Output Mode	3
Polyphase Mode Linking Configurations	4
2.1 1Ø3W Polyphase Output Mode	4
2.2 3Ø4W Polyphase Output Mode - Delta Load.....	5
2.3 3Ø4W Polyphase Output Mode - Wye Load.....	6



Parallel Mode Linking Configurations

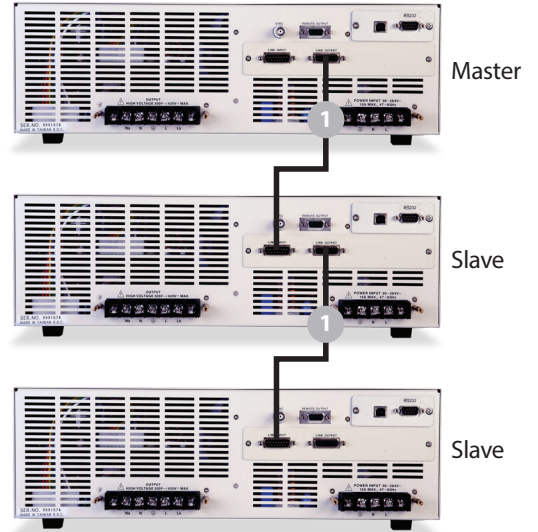
1Ø2W Parallel Output Mode

Before you begin making connections, you must ensure that the power switch on the 300XAC instrument is in the Off Position.



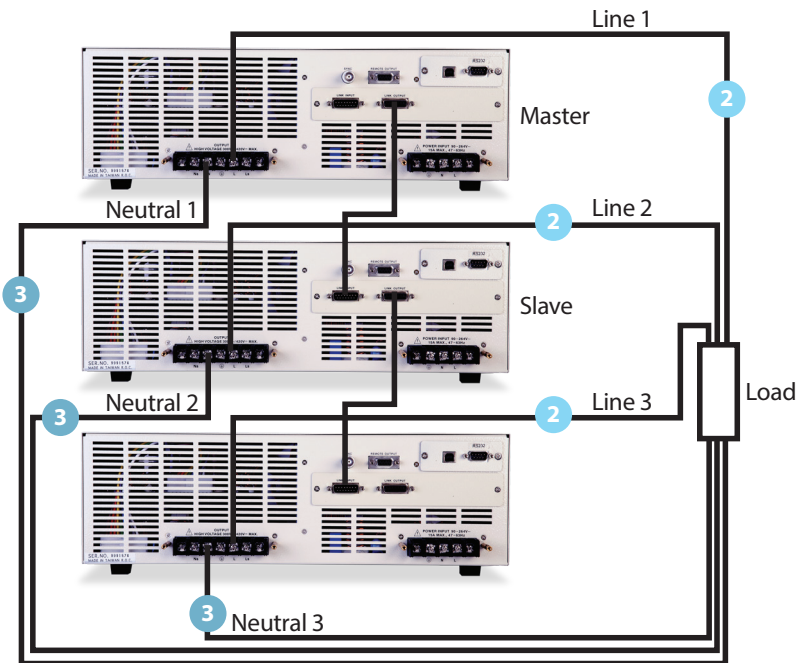
Connect the linking cable (part #39140) between each 300XAC source that will be linked. If you are linking two 300XAC sources you will use only one linking cable. If you are linking three 300XAC sources you will use two linking cables.

- 1 Connect the linking cable (part #39140) between each 300XAC source to be linked. Connection is made from for the Link Output connector to the Link Input connector between each source.
- 2 Connect the Line Output from each 300XAC source to the load.
- 3 Connect the Neutral Output from each 300XAC source to the load.



Once the linking cables and load connections are in place you can power up each individual 300XAC source via the power switch on the front panel.

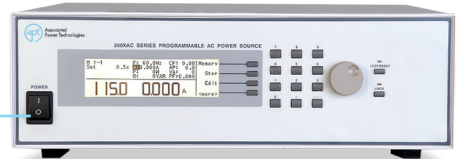
Upon power up the 300XAC sources will go through an initialization screen to verify the sources are interconnected. A message will appear acknowledging a proper interconnection and prompt the user to enable the additional sources.



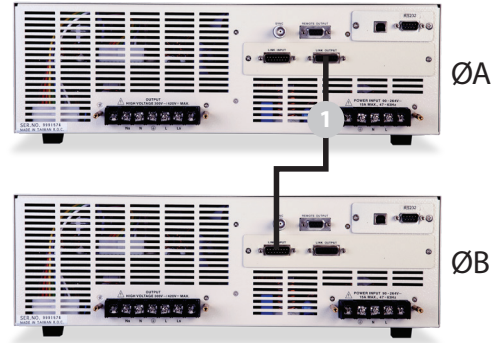
Polyphase Mode Linking Configurations

1Ø3W Polyphase Output Mode

Before you begin making connections, you must ensure that the power switch on the 300XAC instrument is in the Off Position.

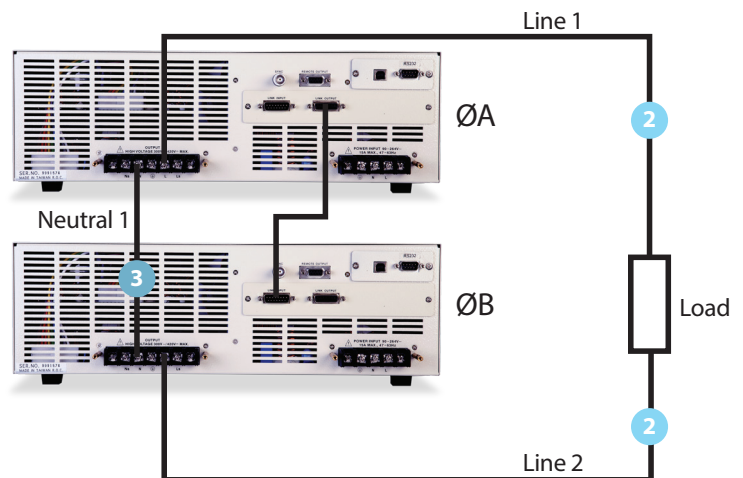


- 1 Connect the linking cable (part #39140) between each 300XAC source to be linked. Connection is made from for the Link Output connector to the Link Input connector between each source.
- 2 Connect the Line Output from each 300XAC source to the load.
- 3 Interconnect the Neutrals of each 300XAC source to achieve full output voltage.



Once the linking cable and load connections are in place you can power up each individual 300XAC source via the power switch on the front panel.

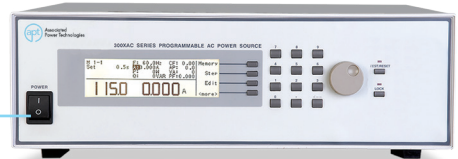
Upon power up the 300XAC sources will go through an initialization screen to verify the sources are interconnected. A message will appear acknowledging a proper interconnection and prompt the user to enable the additional sources.



Polyphase Mode Linking Configurations

3Ø4W Polyphase Output Mode - Delta Load

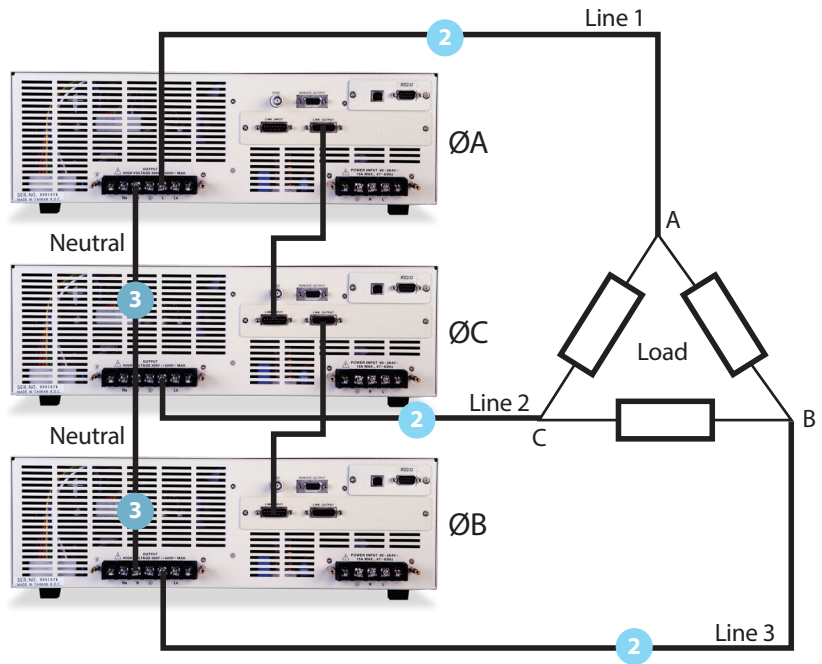
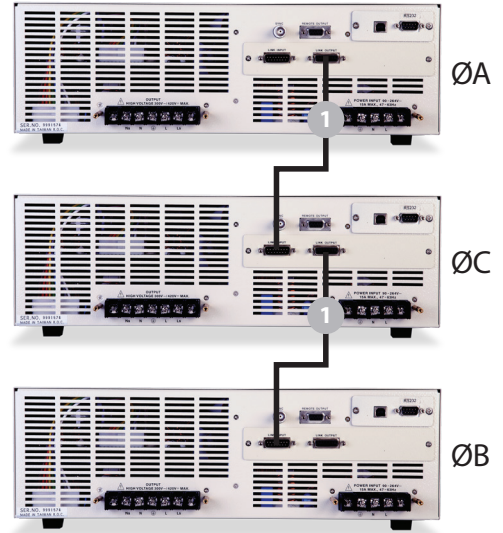
Before you begin making connections, you must ensure that the power switch on the 300XAC instrument is in the Off Position.



- 1 Connect the linking cable (part #39140) between each 300XAC source to be linked. Connection is made from for the Link Output connector to the Link Input connector between each source.
- 2 Connect the Line Output from each 300XAC source to the load.
- 3 Interconnect the Neutrals of each 300XAC source to achieve full output voltage.

Once the linking cable and load connections are in place you can power up each individual 300XAC source via the power switch on the front panel.

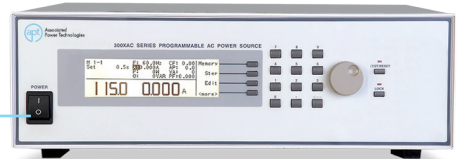
Upon power up the 300XAC sources will go through an initialization screen to verify the sources are interconnected. A message will appear acknowledging a proper interconnection and prompt the user to enable the additional sources.



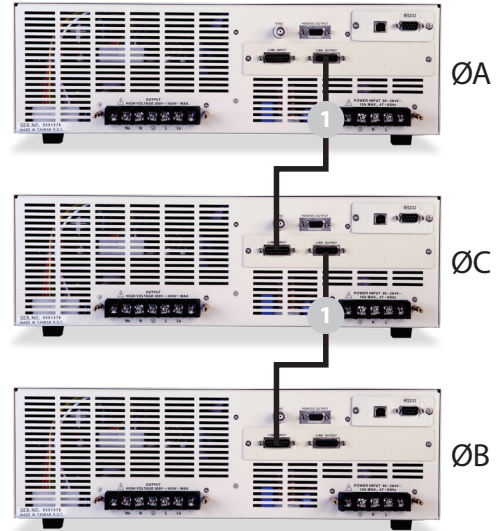
Polyphase Mode Linking Configurations

3Ø4W Polyphase Output Mode - Wye Load

Before you begin making connections, you must ensure that the power switch on the 300XAC instrument is in the Off Position.



- 1 Connect the linking cable (part #39140) between each 300XAC source to be linked. Connection is made from for the Link Output connector to the Link Input connector between each source.
- 2 Connect the Line Output from each 300XAC source to the load.
- 3 Connect the Neutral Output from of each 300XAC source to the load.



Once the linking cable and load connections are in place you can power up each individual 300XAC source via the power switch on the front panel.

Upon power up the 300XAC sources will go through an initialization screen to verify the sources are interconnected. A message will appear acknowledging a proper interconnection and prompt the user to enable the additional sources.

