

# CISPR 14-1

## EXTERNAL SWITCHING OPERATIONS BOX

### DESCRIPTION

The AFJ Switching boxes SW04 are used in connection with the AFJ CL55C click analyser and any LISN brand, for the measurement of line-bound interference's according to CISPR 14-1 and CISPR 16-1.

The construction uses air coils in the current path in order to avoid saturation effects with high current strengths.

The continuous current load-bearing capacity is ensured by the use of large wire cross-sections for the coils. For a short period (10 minutes), twice as high currents are admissible..

SW04 is available in two models, up to 100A three phases:

1. SW04/32 In=32A
2. SW04/100 In=100A

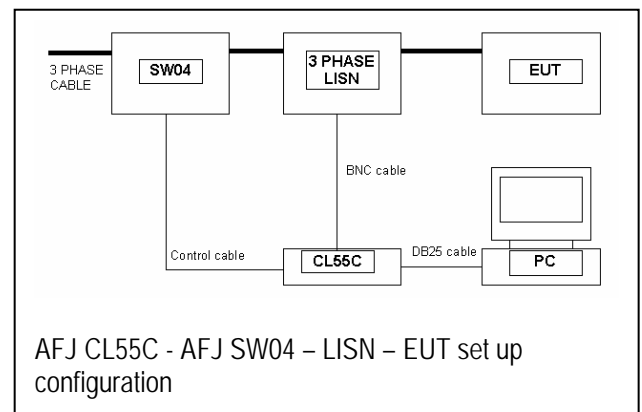


### TECHNICAL SPECIFICATIONS

|                        |                              |
|------------------------|------------------------------|
| n° of lines            | 3 or 4 (L1, L2, L3, N)       |
| Max. rated current     | 32A, or 100A each line       |
| AC line voltage N - Lx | 250Vac or 380Vac             |
| Operating power supply | 110 or 220 or 380Vac 50/60Hz |
| Power consumption      | Max. 50VA                    |
| Interface              | DB15 AFJ CL55C dedicated     |

### GENERAL DATA:

|                        |  |
|------------------------|--|
| Rated temperature      | 0°C to 45°C  |
| Storage temperature    | -20°C to +70°C   |
| Dimensions (W x L x H) | SW04/32: 510 X 340 X 180 mm<br>SW04/100: 510 X 340 X 360 mm<br>(two units) |
| Weight                 | SW04/32: 2.7kg<br>SW04/100: 10kg   |



AFJ Instruments  
 20146 Milan – Italy  
 Phone +39 02 91434850  
 sales@afj-instruments.com  
 www.afj-instruments.com