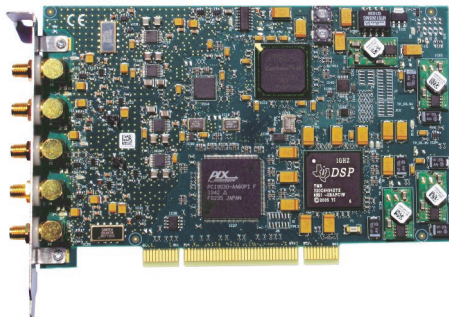
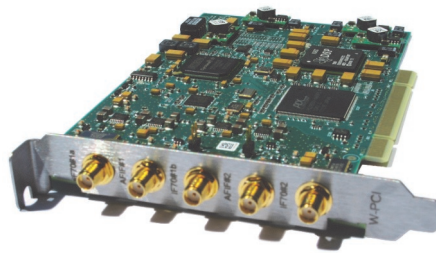


WAVECOM® W-PCI



W-PCI offers two completely independent Digital Down Converter inputs (DDC) at IF and AF level, ideally suited for connection to narrow and broadband receivers and wideband down converters. With two lines of simultaneous and independent decoding on one card, W-PCI delivers a modern and compact solution with various interfaces in hardware and software and includes all functionalities of W-CODE.



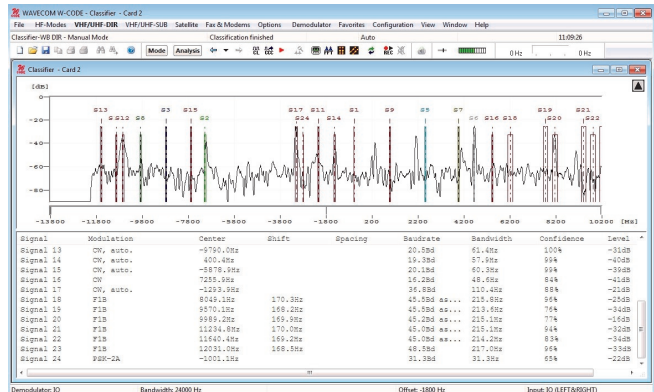
W-PCI

The Preferred Hardware Decoder

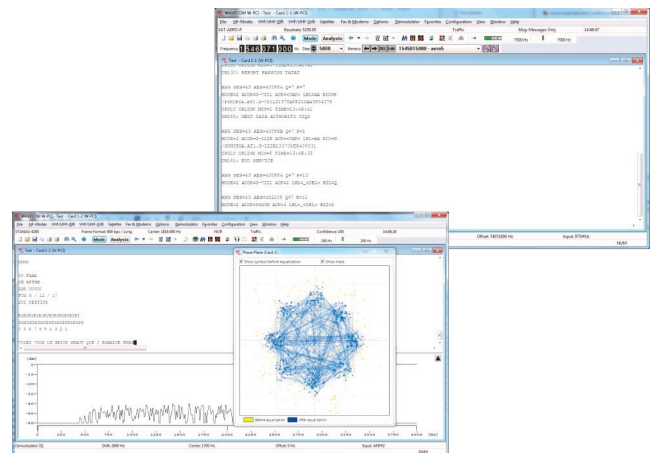
WAVECOM®
NACHRICHTENTECHNIK

W-PCI Features and Facts

- ◆ W-PCI offers two high-quality DDC inputs with wideband frequency range. The DDCs extract the narrowband signal of interest from a broadband input signal. The extracted signal is then used for further analysis, decoding and recording.
- ◆ W-PCI card does not need a USB license dongle. The key is integrated in the card.
- ◆ W-PCI provides all functions required to analyze, decode, record and process radio data communications throughout the radio spectrum from HF, VHF, UHF to SHF.
- ◆ W-PCI includes all functionalities of W-CODE.
- ◆ Two lines of decoding on one card: genuine simultaneous dual channel decoding of two different signals.
- ◆ W-PCI supports automatic classification, code check, demodulation and decoding to content level (text, live voice and image etc.) of signals and predefined unknown signals.
- ◆ The easy-to-use graphical user interface (GUI) with well-structured pull-down menus allows an operator to rapidly become familiar with W-PCI decoder software.
- ◆ A W-PCI card may be controlled from anywhere via the Internet, an Ethernet LAN or a W-LAN.
- ◆ W-PCI supports remote control from other applications using third party software with TCP/IP and XML.
- ◆ The implementation of complex systems for monitoring is limited only by the performance of the hardware and software.
- ◆ System components can be individually configured according to the requirements of the customer.



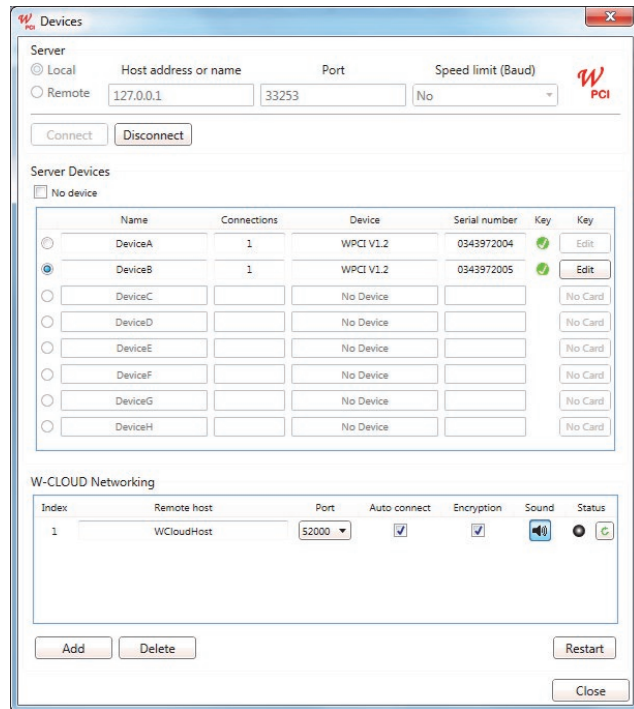
Classifier-WB display containing 24 identified signals



Simultaneous dual channel decoding on one W-PCI card: SAT-AERO on IF70#1b (channel 1) and STANAG-4285 on AFIF#2 (channel 2).

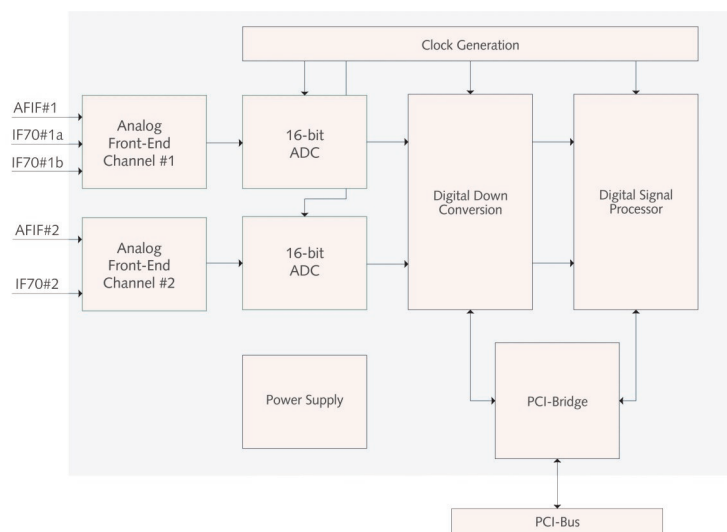
Signal Sources and Devices

- ◆ The application processing the input from W-PCI is compatible with W-CODE. The Device Selector supports a great number of input interfaces and devices. W-PCI supports dual IF inputs from 0 – 25 MHz or 70 MHz +/-17.5 MHz
- ◆ W-PCI is a universal signal interface and may be installed in any PC with PCI 32-bit card slots
- ◆ A number of other interfaces, e.g. SDR I/Q data or digital TCP/IP input streams using W-CLOUD, IP-PXGF, Virtual Audio Cable (VAC) or WiNRADiO Digital Bridge Virtual Sound Card (VSC) are also available with W-PCI



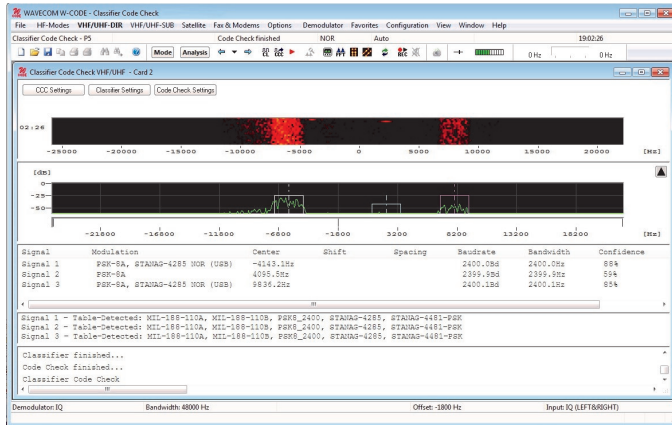
Device Selector in W-PCI: one card is listed as two decoder instances for simultaneous decoding

- ◆ W-PCI is configured with two independent Digital Down Converters (DDC) corresponding to the well-known Software Defined Radio (SDR) technology



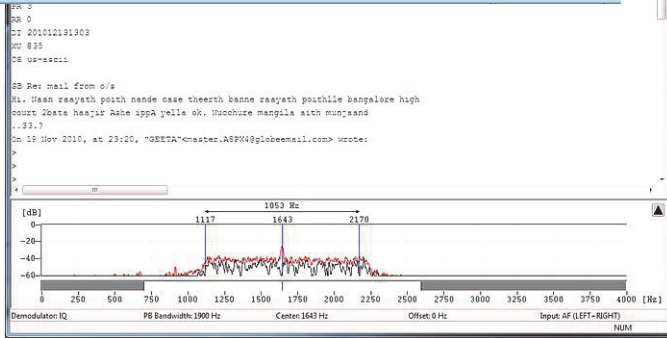
W-PCI block diagram

Wide Range of Application

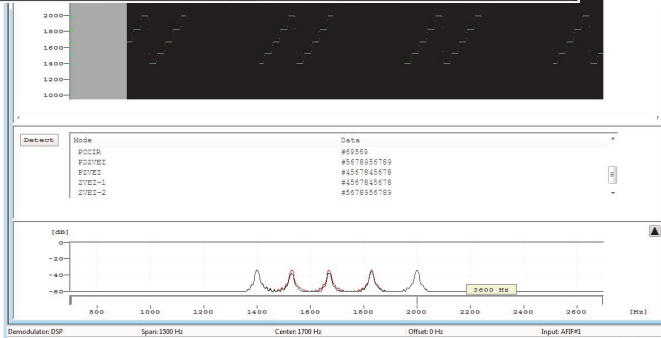


Automatic Signal Classification

Data Decoding



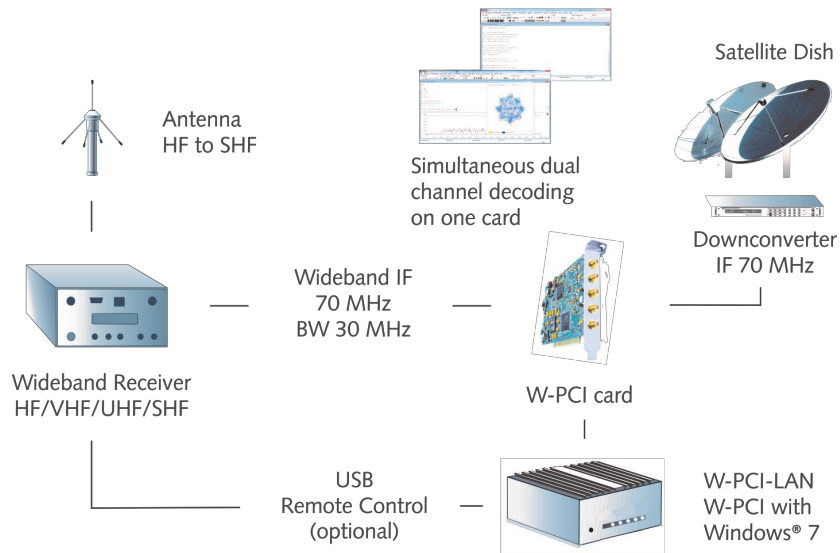
Signal Analysis



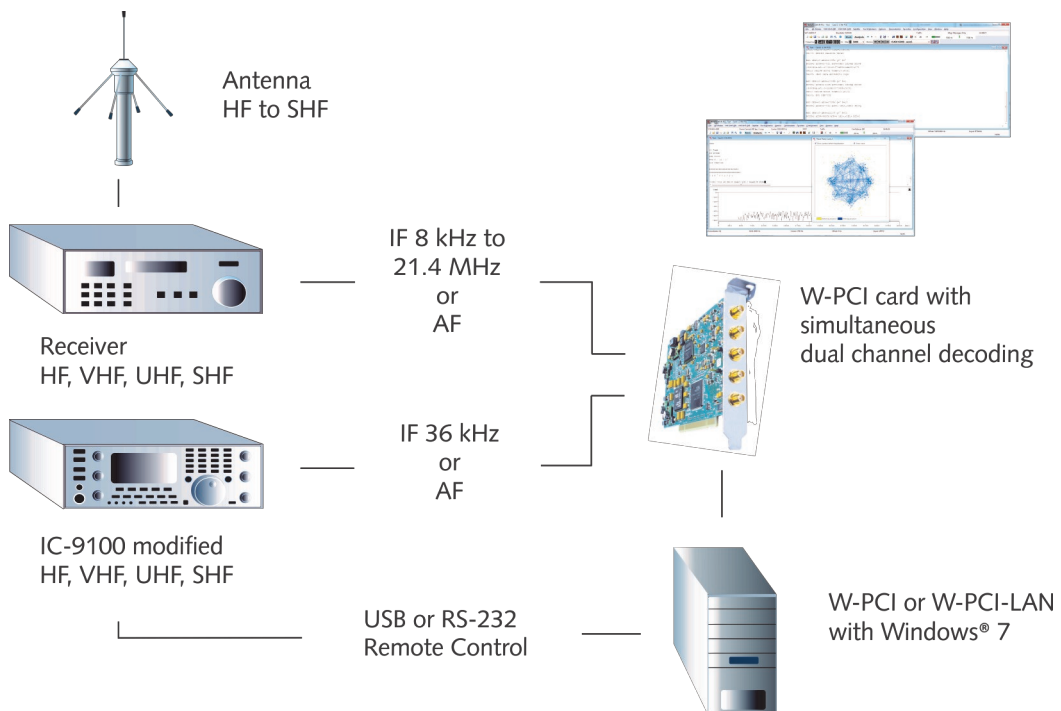
Bit Analysis

- Extraction (Mask)
- test STANAG 4285 Descrambler
- test Symbol Transcoding
- Extraction (Mask)
- test STANAG-4285 DeInterleaver
- test Stream setup for Viterbi
- Viterbi
- Mirroring
- ASCII
- UTF-8

Practical Application



W-PCI and wideband receiver configuration with simultaneous dual channel decoding



W-PCI and IF or AF configuration with simultaneous dual channel decoding

W-PCI

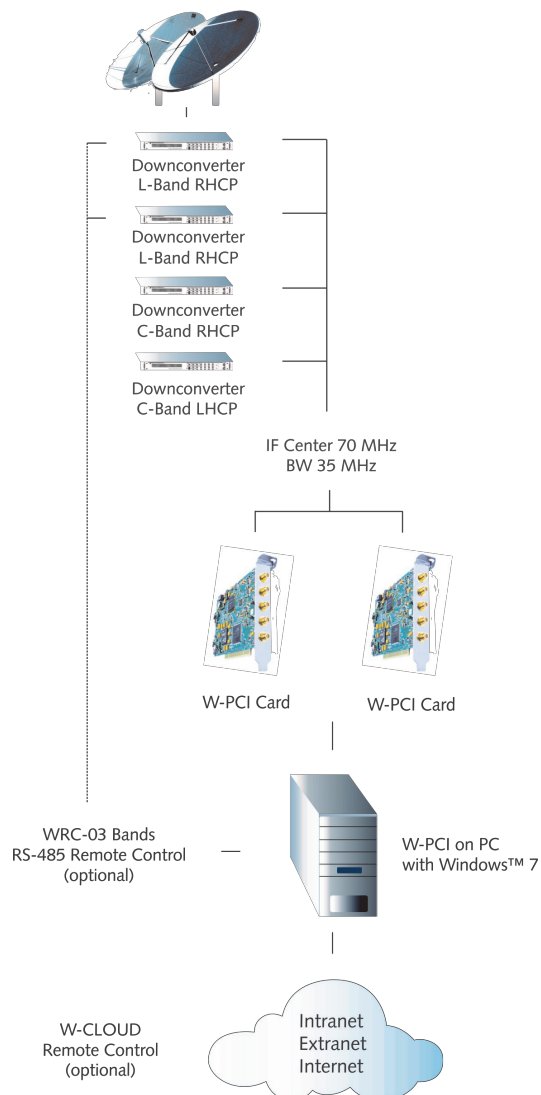
The Preferred Hardware Decoder

Satellite Application

Inmarsat monitoring is an integral part of the wide range of modes available for the Wavecom suite of decoders. W-PCI decoder functions include

- ◆ Real-time voice (Inmarsat B and M), data and fax decoding
- ◆ SAT-AERO decoding
- ◆ Remote control interface enabling customers to build their own customized monitoring system
- ◆ Output can be fed to optional W-SAT-email decoder

The Inmarsat system covers four ocean regions, each served by a satellite. A Network Coordination Station (NCS) in each region assigns a free traffic frequency, timeslot or logical channel to the session between the Mobile Earth Station (MES) and the Land Earth Station (LES). After the session has terminated, the frequency, time slot or logical channel is returned to the common resource pool.







W-PCI

The Preferred Hardware Decoder

WAVECOM
NACHRICHTENTECHNIK

W-PCI Card Specifications and Technical Data

Inputs	AFIF#1 and AFIF#2	IF70#1a, IF70#1b and IF70#2
Connector	SMA female	SMA female
Frequency range	50 Hz to 25 MHz	52.5 MHz to 87.5 MHz (SAW filter)
Bandwidth	5 kHz to 500 kHz	5 kHz to 500 kHz
Frequency raster DDC	1.0 Hz	1.0 Hz
Signal level	2 mVrms to 0.5 Vrms 20 mVrms to 2.5 Vrms with 20 dB attenuator (jumpered)	20 mVrms to 2.5 Vrms
Input impedance	> 1 kOhm	50 Ohm
Input max sampling rate	92.16 MHz	92.16 MHz
Input sampling rate jitter	1 ps (RMS 12 kHz to 20 MHz)	1 ps (RMS 12 kHz to 20 MHz)
Available for mode group	HF / VHF / UHF / Fax and Modem	HF / VHF / UHF / SAT

Card type	Half-size PCI card
Number of concurrent, independent inputs	2 AFIF#1 or IF70#1a or IF70#1b -with- AFIF#2 or IF70#2
Dimensions (L x W x H)	168 x 106 x 22 mm
Weight	0.15 kg
Power requirement (typical values)	+3.3V @ 1.0 A +12V @ 0.4 A
Bus interface	32-bit 3.3V PCI slot 100 Mbytes/s
Operating temperature range	0 °C to 50 °C
Case temperature range	0 °C to 55 °C
Storage temperature range	0 °C to 70 °C
Relative humidity	10 to 90 % (non-condensing)
A/D converter	AD9268 dual 16 bit ADC
Dynamic range	> 60 dB
Digital down converter DDC	FPGA Cyclone II 50K
DSP	TI DSP320C6454
Watchdog for on-board generated voltages	Yes
Conformity	   

W-PCI

The Preferred Hardware Decoder

WAVECOM[®]
NACHRICHTENTECHNIK

Since thirty years Wavecom Elektronik AG has developed, manufactured and distributed high quality devices and software for the decoding and retrieval of information from wireless data communication in all frequency bands. The nature of the data

communication may be arbitrary, but commonly contains text, images and voice. The company is internationally established within this industry and maintains a longstanding, world-wide network of distributors and business partners.

Product Information

Products	http://www.wavecom.ch/product-summary.php
Datasheets	http://www.wavecom.ch/brochures.php
Specifications	http://www.wavecom.ch/product-specifications.php
Documentation	http://www.wavecom.ch/manuals.php
Online help	http://www.wavecom.ch/content/ext/DecoderOnlineHelp/default.htm
Software warranty	One year free releases and bug fixes, update by DVD
Hardware warranty	Two years hardware warranty
Prices	http://www.wavecom.ch/contact-us.php

System Requirements and Ordering Information

	<i>Minimum</i>	<i>Recommended</i>
CPU	P4 Dual-Core 2.4 GHz	Core i5 or Core i7 2.8 GHz
Memory	2 GB RAM	4 - 8 GB RAM
OS	Windows XP	Windows 7 32-bit or Windows 7 64-bit

Product Code	Description
WPCI	Dual channel PCI bus PC card with decoder software on an in-card license
WHWL2	Second license for simultaneous decoding. Available for W-PCI and W-PCIe cards

Distributors and Regional Contacts

You will find a list of distributors and regional contacts at <http://www.wavecom.ch/distributors.php>

WAVECOM[®]

NACHRICHTENTECHNIK

WAVECOM ELEKTRONIK AG, Hammerstrasse 8
8180 Buelach, Switzerland
Phone +41 44 872 70 60 Fax +41 44 872 70 66
E-Mail: sales@wavecom.ch
Internet: www.wavecom.ch

© WAVECOM[®] ELEKTRONIK AG - Brochure 2018 - All rights reserved
Microsoft, Encarta, MSN and Windows are either registered trademarks or trademarks of Microsoft Corporation in the United States and/or other countries. WIN-RADIO[®] is a registered trademark of Radixon Group Pty. Ltd. and Rosetta Laboratories Pty Ltd. ICOM[®] logo is a registered trademark of Icom Incorporated (Japan) in Japan.