

## GNSS ANTENNA

### GPS, GLONASS, SBAS, GALILEO & BEIDOU

The CM0207A2 time reference antennas are specifically designed for long-term deployments for applications at sites where reception is difficult for ground station, timing, fixed installations, critical cost position, for military, space, and service applications. security.

With a low noise level and a high gain amplifier, this antenna is well suited to address mitigation problems associated with applications requiring longer cables.

The proprietary design coupled with multi-stage filtering provides better out-of-band rejection than traditional patch antennas.

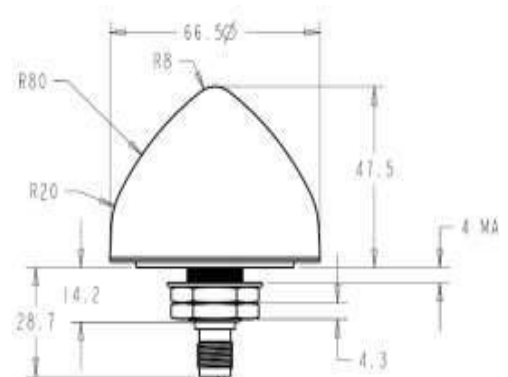
This multifband antenna covers Constellation frequencies BEIDOU B1, GALILEO E1, GPS L1, GLONASS L1 and SBAS (WAAS, EGNOS, QZSS & MSAS)

Their unique radome shape repels water and ice, while eliminating problems with perching birds. (IP67)

A range of compatible mounting configurations is possible. Custom templates or site kits options are also available.

This antenna is made of materials that fully respect the provisions of the European Directives CE, RoHS, REACH, ITAR FREE & RED.

The antenna also has ESD, protection of polarity inversion and transit voltage suppression (15KV discharge of the air)



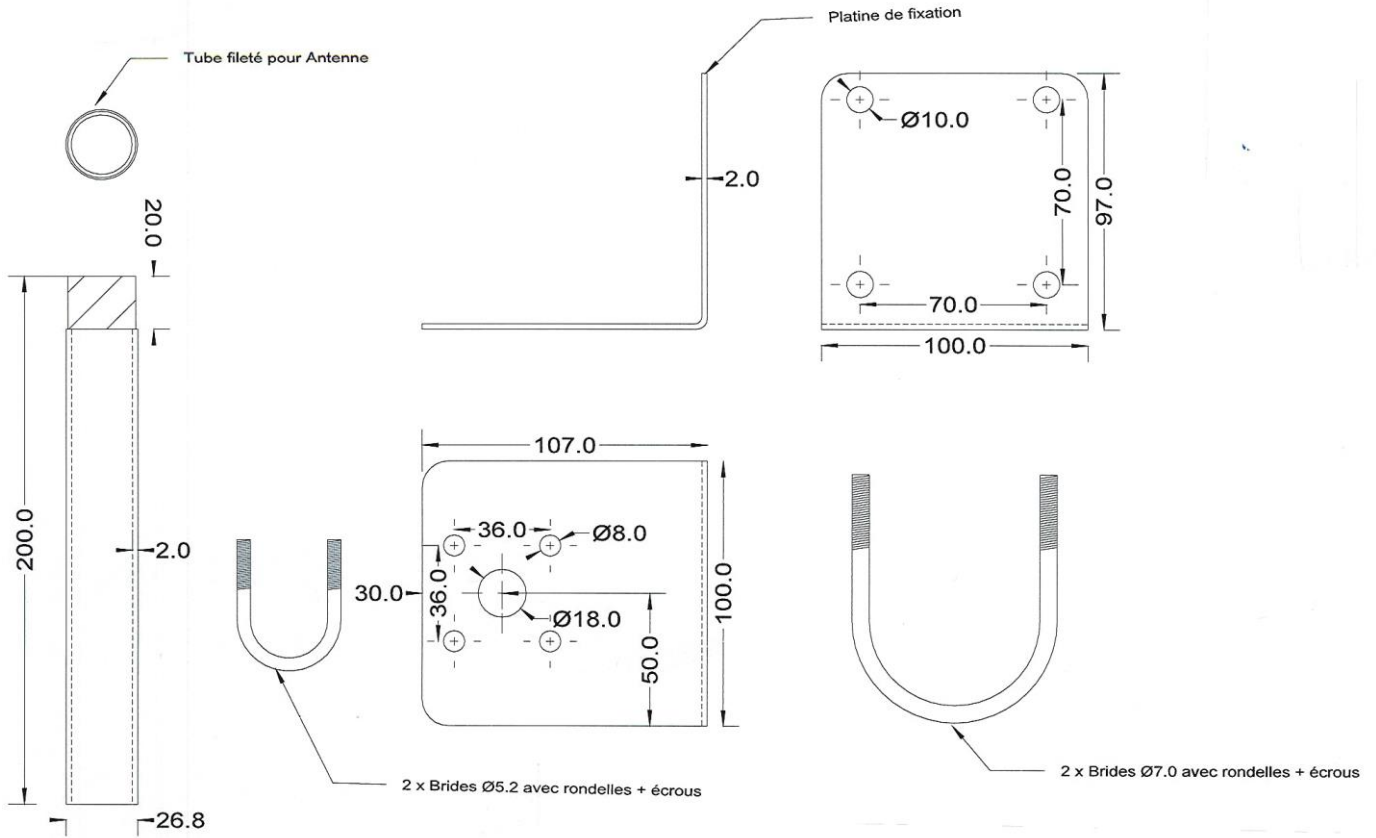
Antenna element for electrical specifications					
Frequency band	Antenna Gain	Nominal Impedance	VSWR	Polarization	
1575 to 1606 MHz	4.5 dBic @ 90°	50 ohms	<1.5 :1 LNA output	RHCP	
Antenna element for mechanical specifications					
Dimensions (DxH)	Antenna weight	Radome color	Connector	Mounting	
66.5 x 47.5 mm	0.150 Kg	White	TNC female	All mounting options for pipes of 26.8 mm	
Antenna element for environmental specifications					
Temperature range		Humidity		IP67 Mil-STD-810F CE REACH ROHS ITAR FREE RED	
-40° C to + 85°C		95%			
Low noise amplifier specifications					
Frequency band	Gain		DC current	Phase noise Max	DC voltage
1575 to 1606 MHz	41dB min +/-2dB 1575 to 1606 MHz		30 mA max	1 dB typical at +25°C +/- 5°C	+2.5 to 16 volts
Filtering		Out of Band Rejection		Nominal impedance	VSWR output
3 filtering stages including the pre-selection		≥ -32 dB @ f ≤ 1500 MHz ≥ -25 dB @ f ≤ 1550 MHz ≥ -35 dB @ f ≥ 1640 MHz		50 ohms	<1.5 :1

Information contained in this document is subject to changes without further notice.

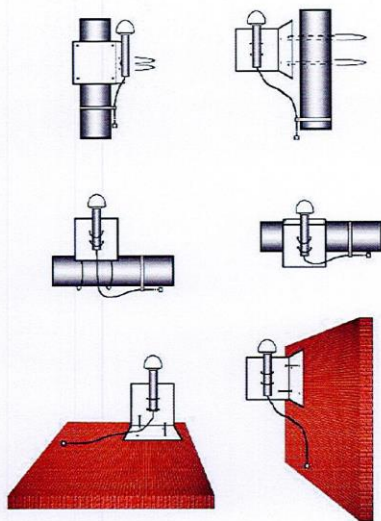
Les informations contenues dans ce document sont susceptibles d'être modifiées sans préavis. Fp2004a4

[www.timelinkmicro.info](http://www.timelinkmicro.info) TIMELINK MICROSYSTEMS 14 rue Jean Perrin 31100 Toulouse Tél. : +33 (0)5 62 87 10 70

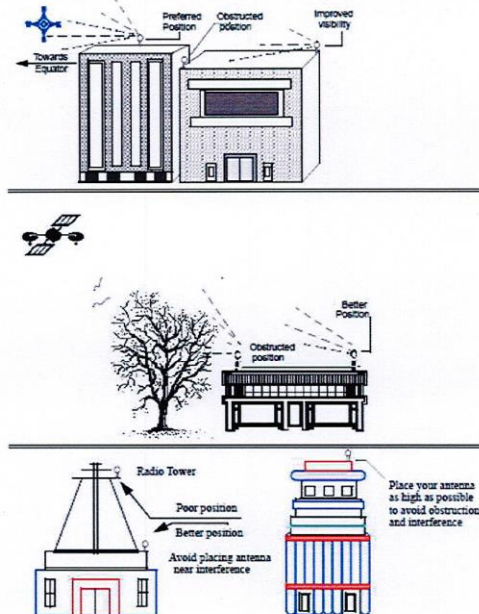
### Antenna installation and mounting kit



#### GPS antenna installation using the mechanical Kit



#### Where to install the GPS antenna



#### Order code

CM0207A2: GNSS Antenna GPS, GLONASS, GALILEO, SBAS, BEIDOU