



320 W source + sink
DC ... 100 kHz / 400 kHz



HIGH SPEED POWER

4-Quadrant Power Supply **TOE 7621**

4-quadrant power supplies or 4-quadrant amplifiers are electronic modules which generate both positive and negative voltages, and which can also deliver and receive positive and negative currents. They can therefore be used as a source or sink.

Power supplies for laboratory use are mostly only power sources. They are only able to deliver power with one single polarity, i.e. these instruments only work in one quadrant of the voltage/current diagram.

Common amplifiers deliver voltages with both polarities but are generally unable to absorb the same power comparable to that which they can deliver. They therefore mainly work as 2-quadrant instruments.

All four-quadrant power supplies of the TOE 7621 series are additionally able to absorb power with both polarities corresponding to the delivered powers.

A 4-quadrant power supply of the TOE 7621 series is thus a bipolar voltage and current source as well as a current sink in one instrument. Use as a bipolar power amplifier is also possible.

Equipment features

Voltage and current mode: CV / CC

The 4-quadrant power supply series TOE 7621 can be operated as a constant voltage source (CV mode) or as a constant current source (CC mode).

Selectable input voltage range

The selectable input voltage range allows switching between an input voltage of ± 5 V or ± 10 V for full scale output. Therefore, no further external adaptation of the control voltage is necessary.

Selectable bandwidth

In CV mode it is possible to preselect a transmission bandwidth of 100 kHz, 10 kHz, 1 kHz or 100 Hz. In CC mode the selectable cut-off frequencies are 10 kHz, 1 kHz, and 100 Hz.

Variable gain

The range of variation is approx. $\pm 10\%$ of the rated gain, in CV or CC mode.

Variable DC offset

Using the adjustable DC offset it is possible to directly set a basic voltage (up to $\pm V_{\text{rated}}$) or a basic current (up to $\pm I_{\text{rated}}$). This function is particularly suitable for superimposing an externally generated noise signal (e.g. from a function generator) on a constant voltage or current. This makes it easy to replicate ripple on vehicle electrics or charging and discharging processes of batteries.

Adjustable output impedance

The internal impedance of the power output is adjustable in CV mode in a range from zero to $0.5 \times (V_{\text{rated}}/I_{\text{rated}})$.

Increased short term load current

All 4-quadrant power supplies of the TOE 7621 series can be equipped with the TOE 7620/113 option. They are then able to deliver three times the rated current for a short period. This option is activated using a switch on the rear panel.

Maximum sink power

The MAX SINK POWER function enables extended run time in sink mode at maximum sink power. The overload shutdown is delayed. The working range of this function is from DC to 1 kHz.

Safety functions

OTP (overtemperature protection):

A thermostatically controlled switch switches off the instrument when a certain temperature is reached. In the process, the output circuit is interrupted by means of a power relay.

OVP (overvoltage protection):

Voltage limits adjustable from 0 V to $\pm 1.02 V_{\text{rated}}$

OCP (overcurrent protection):

Current limits adjustable from 0 A to $\pm 1.02 I_{\text{rated}}$

The limit functions can be set separately in the positive and negative range and can be used in both CV mode and CC mode.

4-Quadrant Power Supply TOE 7621

Sensing

A precise sensing circuit not only keeps the voltage supplied to your load extremely constant, but it also even protects sensitive loads if there is a break in a sensor line. The sensing inputs are available at the rear and can be activated on the front panel using a key. The correctable voltage drop is approx. 1V per line.

Interlock / Inhibit

The output of a 4-quadrant power supply device of the TOE 7621 series can be deactivated or activated via a control input at the rear of the device. The Interlock and Inhibit control function can be selected using a switch at the rear. In particular, the Interlock function is suitable for integrating the device into a safety chain when a TOE 7621 is installed in a larger system.

Monitor output for voltage and current

The respective monitor voltage is:

$0 \dots \pm 5 \text{ V}$ for $0 \dots \pm V_{\text{rated}}$
 $0 \dots \pm 5 \text{ V}$ for $0 \dots \pm I_{\text{rated}}$

Output ON / OFF

The output deactivation function, which allows you to switch the voltage and current off immediately in the Output OFF position, is a user-friendly feature. The output signal path is electrically interrupted.

Parallel mode

Up to 10 TOE 7621 units of the same type can be operated in parallel to increase the power. A parallel switching adapter is available optionally. Units connected in parallel are also available installed in 19" racks.

Bridge connection

An equal number of identical TOE 7621 units can be operated in a bridge connection (maximum 2 x 10 units). The respective inputs and outputs are located at the rear. A switching adapter for the bridge connection is available optionally.

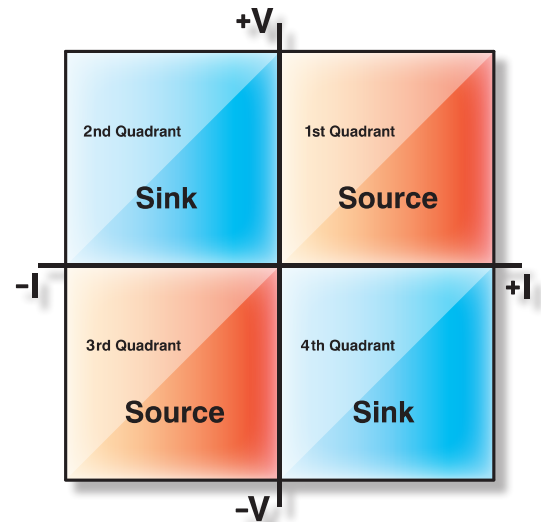


Special features TOE 7621 series

Special features

- 320 W source and sink power
- Power increase using parallel operation
- Increased short term load current $3 \times I_{\text{rated}}$ (optional)
- Analog control input 0 to 5 V or 0 to 10 V
- Rise/fall time typ. $< 2.5 \mu\text{s}$ in CV mode
- Adjustable output impedance in CV mode
- Sensing
- Output at front and rear
- 19" width, 3 HU
- Ideally suitable for electrical noise testing of components against vehicle electrics ripple

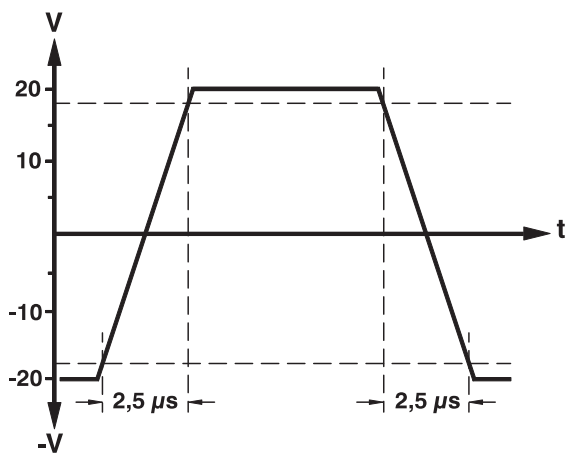
4-quadrant mode



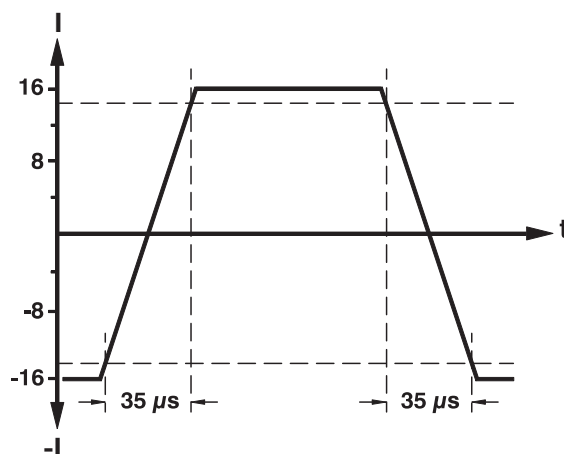
Developed and manufactured in
GERMANY

Overview

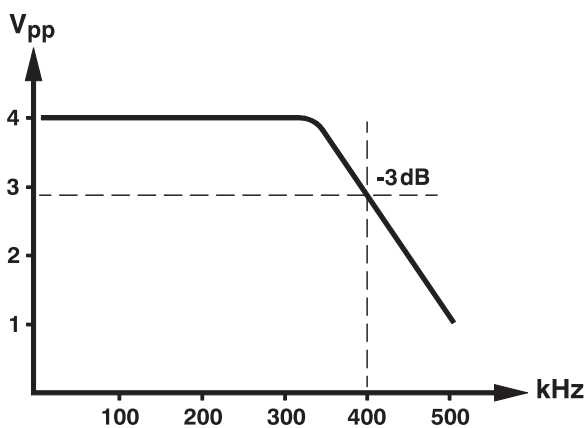
Model	Output voltage	Output current	Output power
TOE 7621- 6	± 6 V	± 40 A	240 W
TOE 7621- 10	± 10 V	± 30 A	300 W
TOE 7621- 20	± 20 V	± 16 A	320 W
TOE 7621- 32	± 32 V	± 10 A	320 W
TOE 7621- 40	± 40 V	± 8 A	320 W
TOE 7621- 60	± 60 V	± 5.3 A	320 W
TOE 7621- 80	± 80 V	± 4 A	320 W
TOE 7621-100	± 100 V	± 3.2 A	320 W



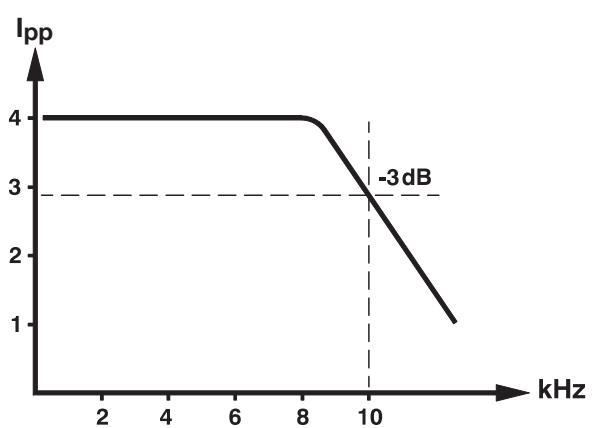
Rise/fall time (CV) with TOE 7621-20



Rise/fall time (CC) with TOE 7621-20



Small signal bandwidth (CV) with TOE 7621-20



Small signal bandwidth (CC) with TOE 7621-20

Technical specifications TOE 7621

	TOE 7621-10	TOE 7621-20	TOE 7621-32	TOE 7621-40	TOE 7621-60	TOE 7621-80	TOE 7621-100
Output voltage	± 10 V	± 20 V	± 32 V	± 40 V	± 60 V	± 80 V	± 100 V
Output current	± 30 A	± 16 A	± 10 A	± 8 A	± 5.3 A	± 4 A	± 3.2 A
Power (continuous at I_{max})							
Source mode	300 W		320 W				
Sink mode	300 W		320 W				
Input impedance	100 kΩ						
CV mode							
Frequency range							
DC/AC input coupling	0 Hz - 100 kHz / 2 Hz - 100 kHz						
Adjustable bandwidth limit	100 Hz / 1 kHz / 10 kHz / 100 kHz						
Transmission factor/gain							
Input voltage ±5 V	2 V/V	4 V/V	6.4 V/V	8 V/V	12 V/V	16 V/V	20 V/V
Input voltage ±10 V	1 V/V	2 V/V	3.2 V/V	4 V/V	6 V/V	8 V/V	10 V/V
Adjustable	± 10 %	± 10 %	± 10 %	± 10 % ±	± 10 %	± 10 %	± 10 %
Rise/fall time (10% – 90%) typ.	< 2.5 μs	< 2.5 μs	< 2.5 μs	< 2.5 μs	< 2.5 μs	< 3 μs	< 3 μs
Harmonic distortion							
Up to 1 kHz	< 0.25 %		< 0.1 %				
Up to 100 kHz	< 1.00 %		< 0.8 %				
Interfering signals (humming and noise)							
Up to 1 kHz	< 1 mV _{eff}	< 1 mV _{eff}	< 1 mV _{eff}	< 1 mV _{eff}	< 1 mV _{eff}	< 2 mV _{eff}	< 2 mV _{eff}
Up to 10 kHz	< 1 mV _{eff}	< 1 mV _{eff}	< 1 mV _{eff}	< 1 mV _{eff}	< 1 mV _{eff}	< 2 mV _{eff}	< 2 mV _{eff}
CC mode							
Frequency range							
DC/AC input coupling	0 Hz - 10 kHz / 2 Hz - 10 kHz						
Adjustable bandwidth limit	100 Hz / 1 kHz / 10 kHz						
Transmission factor							
Input voltage ±5 V	6 A/V	3.2 A/V	2 A/V	1.6 A/V	1.06 A/V	0.8 A/V	0.64 A/V
Input voltage ±10 V	3 A/V	1.6 A/V	1 A/V	0.8 A/V	0.53 A/V	0.4 A/V	0.32 A/V
Adjustable	± 10 %	± 10 %	± 10 %	± 10 %	± 10 %	± 10 %	± 10 %
Rise/fall time (10% – 90%) typ.	35 μs	35 μs	35 μs	35 μs	35 μs	35 μs	35 μs
Harmonic distortion							
Up to 1 kHz	< 0.25 %		< 0.1 %				
Up to 100 kHz	< 1.00 %		< 0.8 %				

General data / accessories

Output	Floating; insulation ± 260 V against ground
Line voltage	115 V/230 V $\pm 10\%$; 47 Hz to 63 Hz
Line fuse	115 V: T8L 230 V: T4L in accordance with IEC 127-2/III, DIN 41662
Power consumption	Max. approx. 750 VA
Protective measures	Protection class I in accordance with DIN EN 61010-1
Operating temperature	0 °C to 40 °C
Storage temperature	-20 °C to 70 °C
Reference temperature	23 °C ± 1 °C
Cooling	Thermostatically-controlled fan
Dimensions	
(W x H x D)	434 x 132 x 429 mm
with feet	434 x 147 x 429 mm
19" system	System-compatible with 19", 3 HU
Weight	Approx. 20 kg
Housing	Aluminium

Ordering data

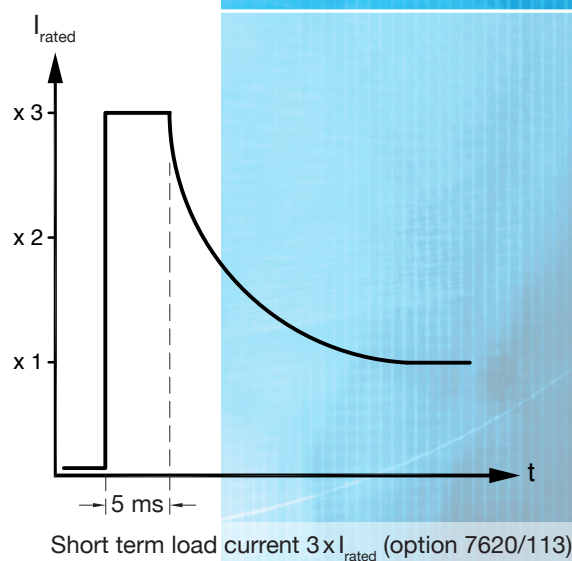
TOE 7621 - 6	DC - 100 kHz, ± 6 V / ± 40 A
TOE 7621 - 10	DC - 100 kHz, ± 10 V / ± 30 A
TOE 7621 - 20	DC - 100 kHz, ± 20 V / ± 16 A
TOE 7621 - 32	DC - 100 kHz, ± 32 V / ± 10 A
TOE 7621 - 40	DC - 100 kHz, ± 40 V / ± 8 A
TOE 7621 - 60	DC - 100 kHz, ± 60 V / ± 5.3 A
TOE 7621 - 80	DC - 100 kHz, ± 80 V / ± 4 A
TOE 7621 - 100	DC - 100 kHz, ± 100 V / ± 3.2 A

Supplied accessories

- 1 power cord
- 1 instruction manual

Options / accessories

TOE 7620/101	Circuitry for bridge connection
TOE 7620/102 ... 110	Parallel switching adapter 2 ... 10 x TOE 7620
TOE 7620/113	Short term load current $3 \times I_{\text{rated}}$
TOE 7620/017	Floating input DC - 100 kHz
TOE 9513	19" adapter, 3 HU



TOELLNER Electronic Instrumente GmbH
Gahlenfeldstraße 31 · 58313 Herdecke · Germany
Phone +49 2330 979191 · Fax +49 2330 979197
E-Mail: info@toellner.de · www.toellner.de

TOELLNER®

www.toellner.de