

GNSS ANTENNA

GPS, GLONASS & SBAS

The CM0207A1 time reference antennas are specifically designed for long-term deployments for applications at sites where reception is difficult for ground station, timing, fixed installation, critical cost position on military, space, and other applications as security.

With a low noise level and a high gain amplifier, this antenna is well suited to address mitigation problems associated with applications requiring longer cables (less 110 meters)

The proprietary design coupled with multi-stage filtering provides better out-of-band rejection than traditional patch antennas.

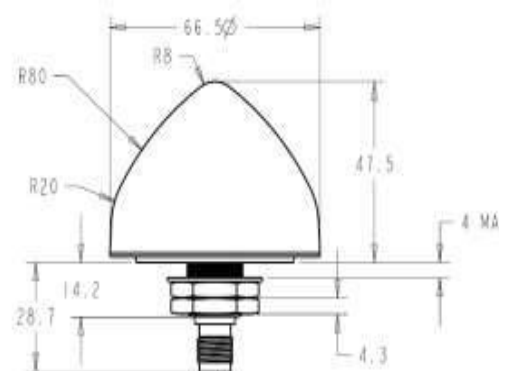
This multiband antenna covers GPS, GLONASS and SBAS frequencies.

Their unique radome shape repels water and ice, while eliminating problems with perching birds.

A range of compatible mounting configurations is possible. Custom templates or site kits options are also available.

This antenna is made of materials that fully respect the provisions of the European Directives CE, RoHS and REACH.

The antenna also has ESD, protection of polarity inversion and transit voltage suppression (15KV discharge of the air)



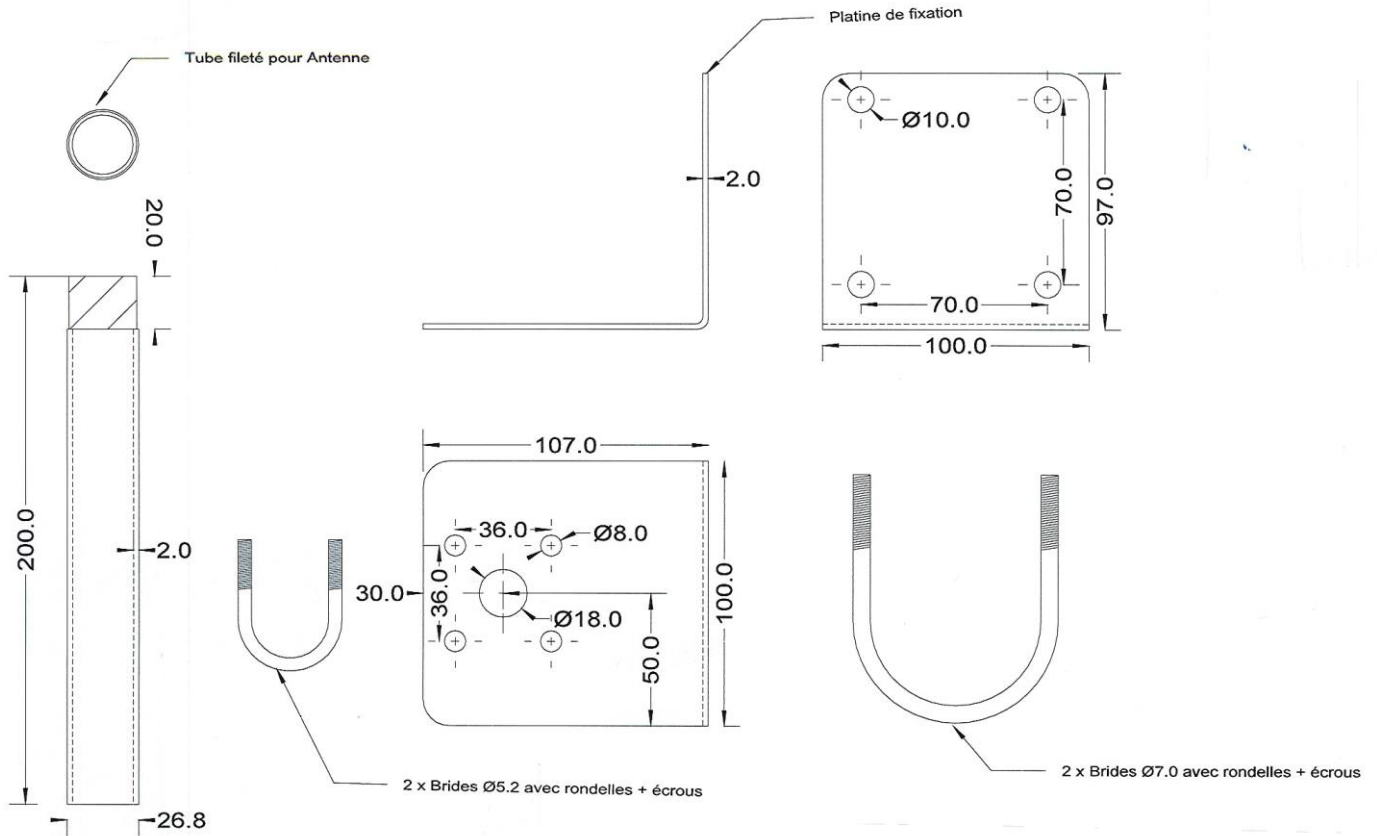
Antenna element for electrical specifications				
Frequency band	Antenna Gain	Nominal Impedance	VSWR	Polarization
1575 to 1606 MHz	4.5 dBic @ 90°	50 ohms	<1.5 :1 LNA output	RHCP
Antenna element for mechanical specifications				
Dimensions (DxH)	Antenna weight	Radome color	Connector	Mounting
66.5 x 47.5 mm	0.150 Kg	White	TNC female	All mounting options for pipes of 26.8 mm
Antenna element for environmental specifications				
Temperature range	Humidity		IP67 CE REACH ROHS ITAR FREE	
-40° C to +85°C	95%			
Low noise amplifier specifications				
Frequency band	Gain	DC current	Phase noise Max	DC voltage
1575 to 1606 MHz	41dB min +/-2dB 1575 to 1606 MHz	30 mA max	1 dB typical at +25°C +/- 5°C	+2.5 to 16 volts
Filtering	Out of Band Rejection		Nominal impedance	VSWR output
3 filtering stages including the pre-selection	≥ -32 dB @ f ≤ 1500 MHz ≥ -25 dB @ f ≤ 1550 MHz ≥ -35 dB @ f ≥ 1640 MHz		50 ohms	<1.5 :1

Information contained in this document is subject to changes without further notice.

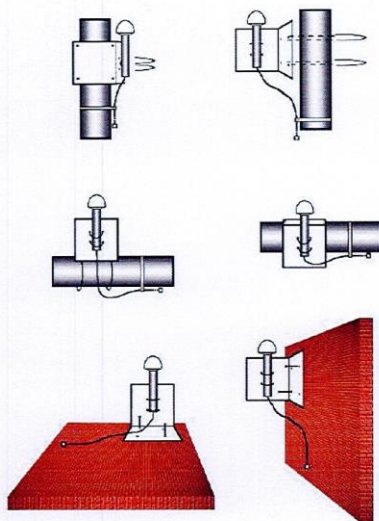
Les informations contenues dans ce document sont susceptibles d'être modifiées sans préavis. Fp2004a3

www.timelinkmicro.info TIMELINK MICROSYSTEMS 14 rue Jean Perrin 31100 Toulouse Tél. : +33 (0)5 62 87 10 70

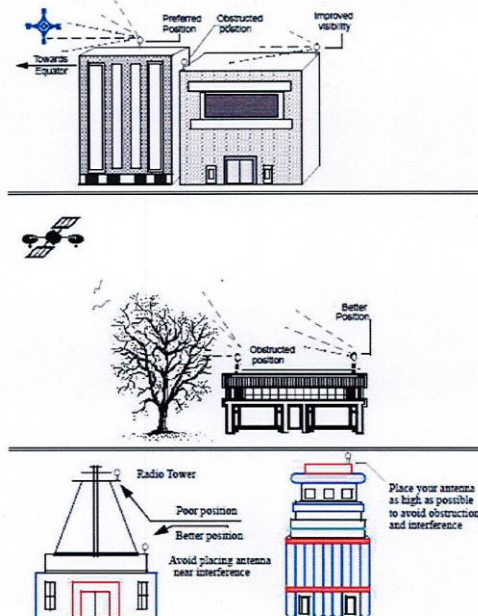
Antenna installation and mounting kit



GPS antenna installation using the mechanical Kit



Where to install the GPS antenna



Order code

CM0207A1: GNSS Antenna GPS, GLONASS & SBAS

Information contained in this document is subject to changes without further notice.

Les informations contenues dans ce document sont susceptibles d'être modifiées sans préavis. Fp2004a3

www.timelinkmicro.info TIMELINK MICROSYSTEMS 14 rue Jean Perrin 31100 Toulouse Tél. : +33 (0)5 62 87 10 70