

# P331-2 set

ESD Pulse Injection acc. IEC 61000-4-2



## Short description

The P331-2 probe set is used for conducted coupling of ESD pulses into ICs. The P331-2 probe sizing orientates itself by mechanisms of the ESD coupling into electronic assemblies (according to IEC 61000-4-2 / HMM). The BPS 203 burst power station supplies and controls the probe.

## Scope of delivery

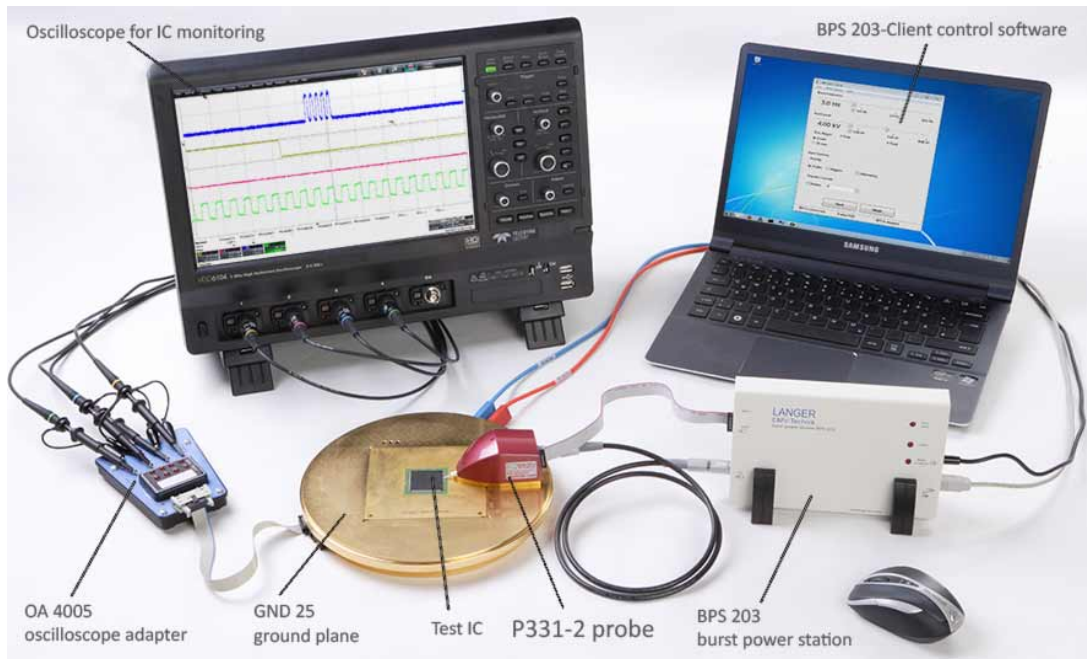
- |   |  |
|---|--|
| 1x P331-2, ESD Generator                | 1x BPS 203, Burst Power Station                      |
| 1x BPS 203-Client, Control Software     | 1x SM 02-01, Shunt 0,1 Ohm                           |
| 1x SMA-SMB 1 m, SMA-SMB Measuring Cable | 1x HV FI-FI 1 m, High-Voltage Cable, Fischer-Fischer |
| 1x FBK 12P 1m, Control Cable            | 1x USB-AB, USB Cable Type A-B                        |
| 1x NT Ex EU, Power Supply Unit          | 1x P331 acc, Accessories                             |
| 1x P331 case, System Case               | 1x P331 m, P331 Set User manual                      |

# P331-2 set

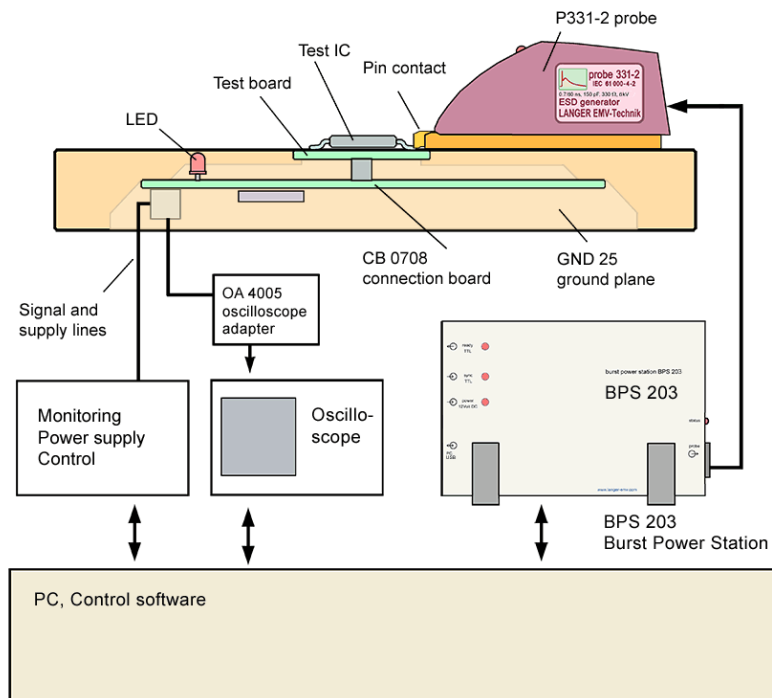
ESD Pulse Injection acc. IEC 61000-4-2



## Measurement set-up with P331-2



## Scheme measurement set-up with P331-2



# P331-2 set

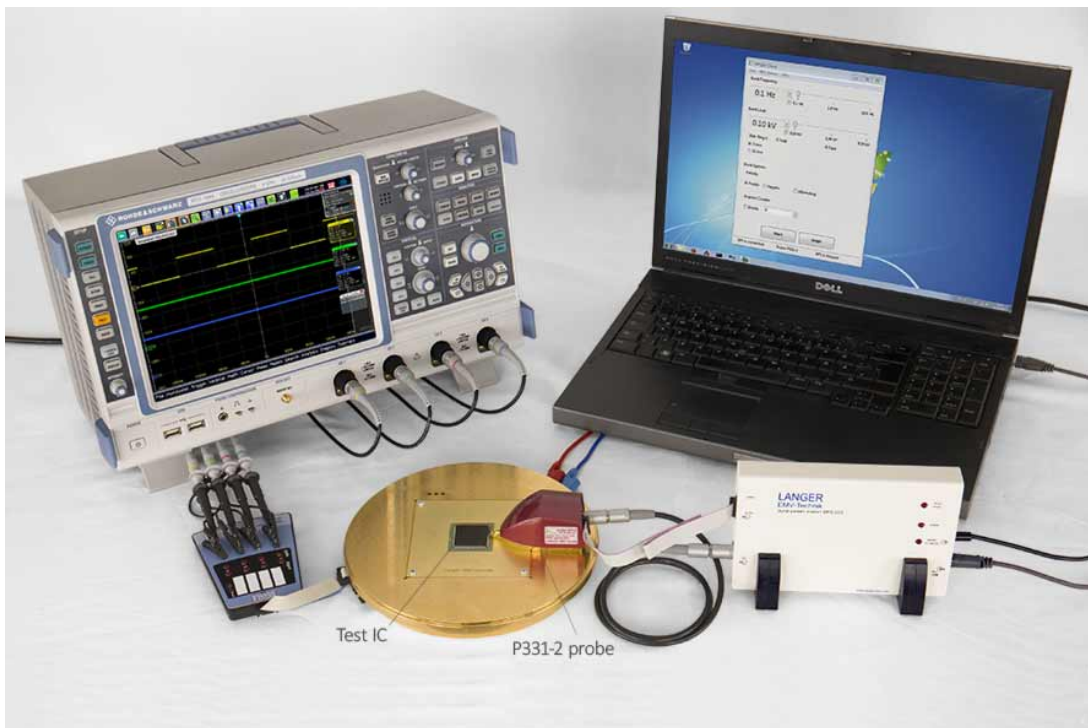
ESD Pulse Injection acc. IEC 61000-4-2



## Scope of delivery P331-2 set



With the ESD generator P331-2 ESD-pulses are coupled into the pins of a test IC.



# P331-2 set

ESD Pulse Injection acc. IEC 61000-4-2